



Product information

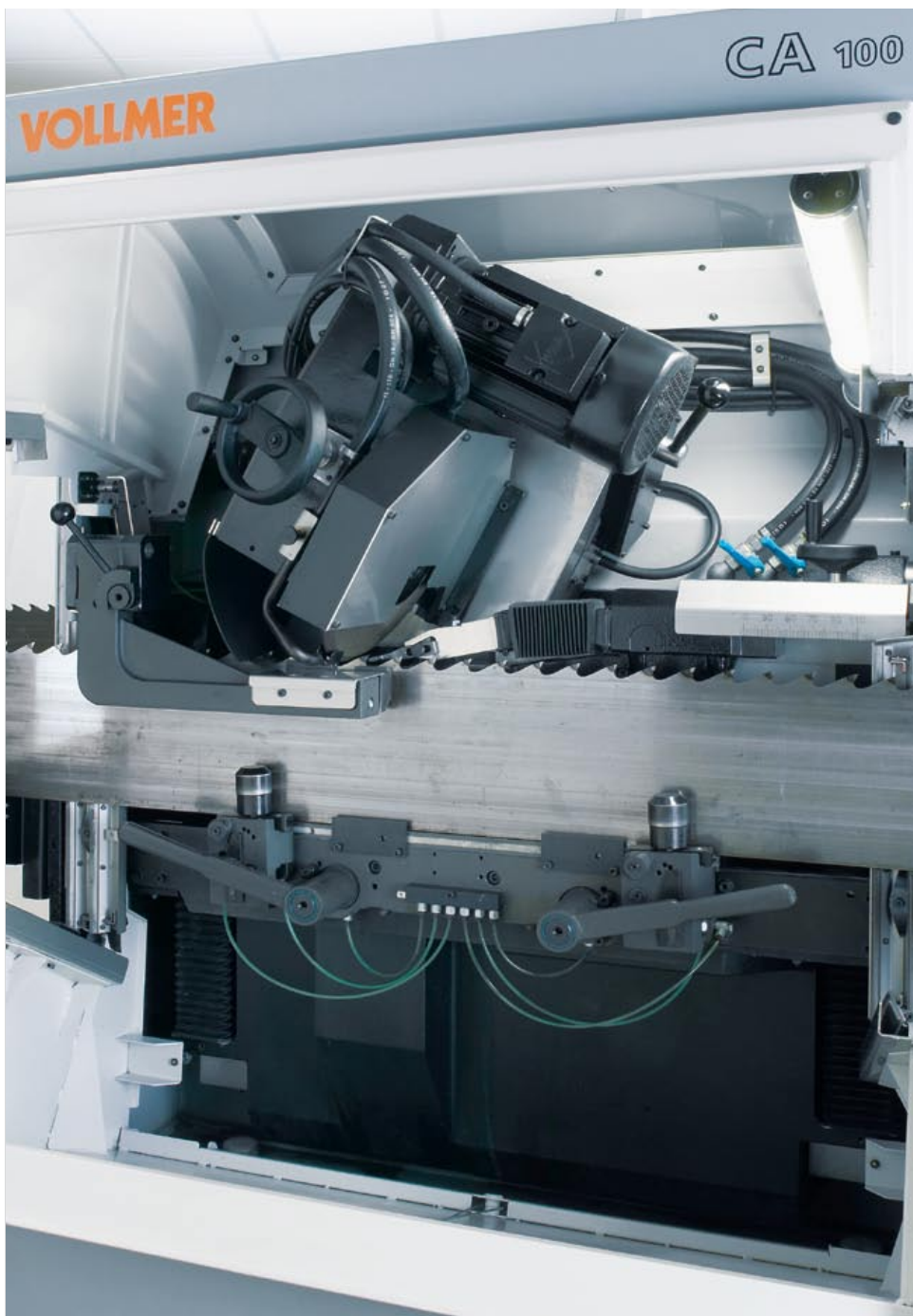
CA 100 / CAL 100

Machine for sharpening the tooth face and tooth top of band saw blades with cutting direction either to the right hand side or left hand side

CA 100 / CAL 100

The Concept.

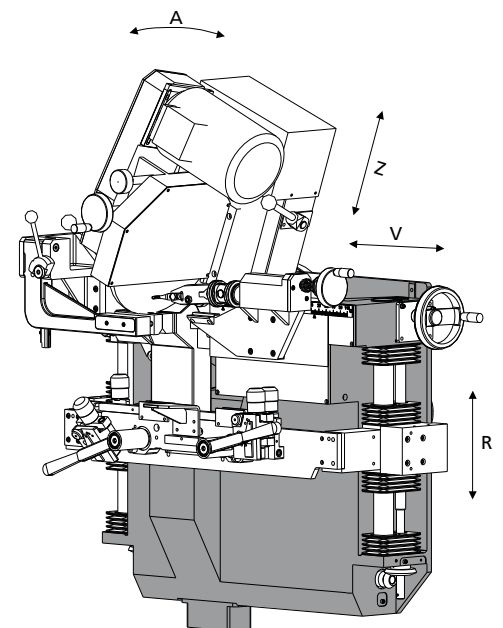
Sophisticated technology for a long tool life.



Solid central block guarantees perfect stability and excellent precision.

The cam-controlled CA 100 / CAL 100 sharpens the complete profile of your band saw blades. It can be configured for wet or dry grinding, and is notable for its sturdy and compact central block based structure, high functionality and excellent cost-performance ratio.

The robust design of the CA 100 / CAL 100 guarantees an extremely long lifetime coupled with high precision and low maintenance. Innovative technology prolongs the tool life of your saw blades and boosts the productivity of your sawmill.



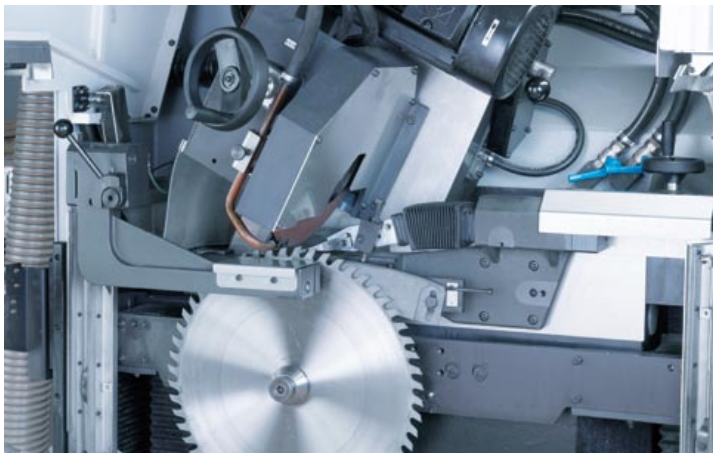
Powerful grinding unit with solid central block.
Extremely simple manual adjustment of all axes.

The operation.

Simple operation, perfect results.

The CA 100 / CAL 100 scores highly in day-to-day operation in terms of its simple, uncomplicated operation and excellent accessibility. The saw blades are easy to set up thanks to a straightforward tooth face adjusting mechanism on the outside of the machine. The tooth shape cams can be quickly exchanged with just a few simple adjustments, making it easy to grind different band saw blades. The feed blade in drag mode guards against malfunctions. The stepless adjustment of the drive speed and grinding wheel speed are also available as options.

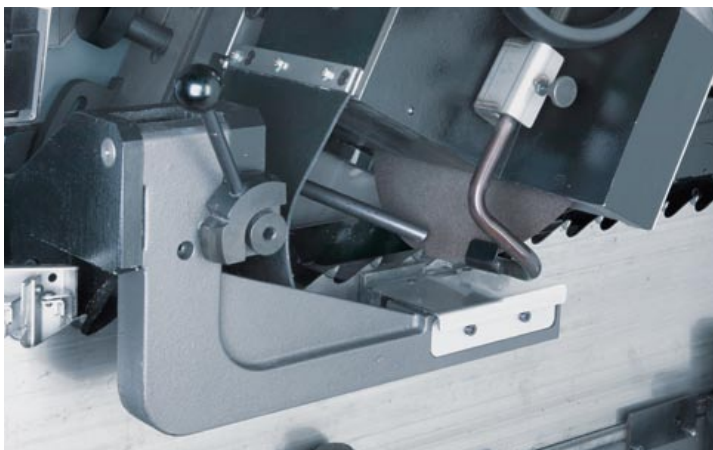
Further labour-saving and throughput-enhancing benefits are achieved by the manually or electrically adjustable clamping slide and precision feed adjustment. The sturdy grinding unit, with a grinding wheel diameter of 350 mm, guarantees a high machining output coupled with best possible precision and top grinding quality.



Option: easy to convert for circular saw blades.



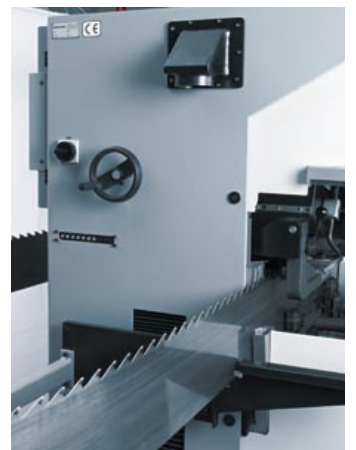
Optionally available in wet or dry grinding version.



Steady, economic blade clamp.



Simple handling. Good access to infeed elements.



CA 100 / CAL 100

Technical data at a glance:

- Band saw blades
 - Blade width 80 to 360 mm
 - Blade length up to 5.50 m
 - Blade thickness 0.6 to 2.8 mm
 - Tooth pitch 8 to 110 mm
 - Tooth height 8 to 40 mm
 - Hook angle 0° to 40°
- Grinding wheels
 - Outer diameter up to 350 mm
- Working speed
 - 8, 16, 24 T/min (50 Hz)
 - 10, 20, 30 T/min (60 Hz)
 - (Option: infinitely variable)
- Connected load
 - 4.8 to 5.8 kVA/4.0 to 4.8 kW
 - (according to model)
- Weight
 - approx. 1050 kg
- Circular saw blades
 - Outer diameter 300 to 750 mm

The highlights:

- Central block based design for top grinding quality.
- High rigidity for best possible grinding performance.
- Simple operation.
- Robust, functional machine structure.
- Separation of machine and working areas for longer lifetime and reduced maintenance/service.
- Wet and dry grinding versions available.
- Quick and easy cam change.
- Wide variety of lift cams available.
- Sturdy, powerful grinding unit with 350 mm diameter grinding wheel.
- Compact design.
- Easy to convert for circular saw blades.
- Band saw grinder for processing the hook and clearance surfaces of saw blades with cutting direction either to the right hand side or left hand side.

Dimensions

